

Fauve Series Flood Lights

BIL-132-x



Overview

Our Fauve Series LED floodlights, which comes in either warm white or cool white, are capable of high performance and lumen intensity. They are ideal for use in large outdoor areas such as external walls, gardens, shipyards and sports fields. Encased in an aluminium alloy die-cast and with a tempered glass cover, our IP 65 standard floodlights are both robust and functional in every sense, able to adequately replace traditional halogen 150W floodlights.

Key Features

- Adjustable high-powered LED floodlight made of aluminium alloy die-casting and tempered glass, providing high lumens and performance in various weather conditions
- IP 65 water-resistant standard.
- High lumen-to-watt ratio (56-65 lm/w) makes it an ideal replacement for the typical halogen floodlight

Ordering Code

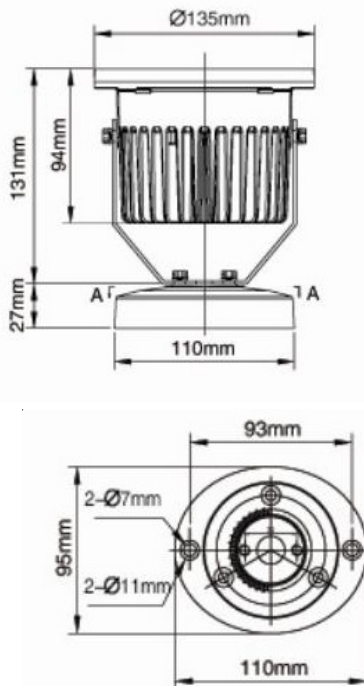
Ceiling Lights Series	—	Led Power: 18=18W
	—	Beam Angle: 25 Degrees
	—	Lighting Direction: A=Adjustable
	—	Colour Of Light: WW=Warm White, CW=Cool White
	—	Option: 01= With Diffuser

BIL-132 18 25 A CW 01

LED POWER

18W

Mechanical Dimensions



Fauve Series

Data Sheet

Specifications

Lumen Output

- 9x2W: 700 lm(WW), 1100 lm(CW)

Beam Angle

- 25 degrees

Lighting Direction

- Adjustable +/- 90 degrees

Colour Of Light

- Cool White (Typical 6000K)
- Warm White (Typical 3000K)

CRI

- >80

Input Voltage

- 100-240VAC @50HZ

Relative Humidity

- 98% Non-condensing

Operating Temperature

- -20° to +50° C

IP Rating

- IP 65 (water-resistant standard)

Power Consumption

- 18W

Life Span

- Up to 50,000 hours

Safety Certification Standards

- CE, FCC, RoHs

Colour Of Body

- Black

Weight

- 1.80 kg

Materials

- Heavy duty aluminum alloy

Specifications in this document are subject to change without notice.

BONJOUR ODYSSEY PTE LTD

135 Joo Seng Road, PM Industrial Building, #03-01, Singapore 368363

Tel: 65-64874568, Fax: 65-64876598

Email: Sales@Bonjour-Odyssey.com

URL: www.bonjour-odyssey.com

Bonjour
Odyssey

We Help You Save Energy Costs