

Dalia Series Bay Lights

BIL-133-x



Overview

The Dalia Series Baylights, which range from 20-60W, is ideal for use in areas with moderate to high ceilings such as warehouses and storage facilities. Unlike metal halide or halogen lamps, the Dalia Series baylights have a lifespan 4-5 times greater with lower operating and maintenance cost, as well as being capable of lumen levels of up to 3,900lm.

Key Features

- Made of tough aluminium alloy stamping with smooth metallic finish
- High performance and durability makes it an ideal replacement for the traditional metal halide lamp
- Long lifespan of up to 50,000 hours
- Does not contain any mercury, toxic materials or glass components - 100% environmentally-friendly

Ordering Code

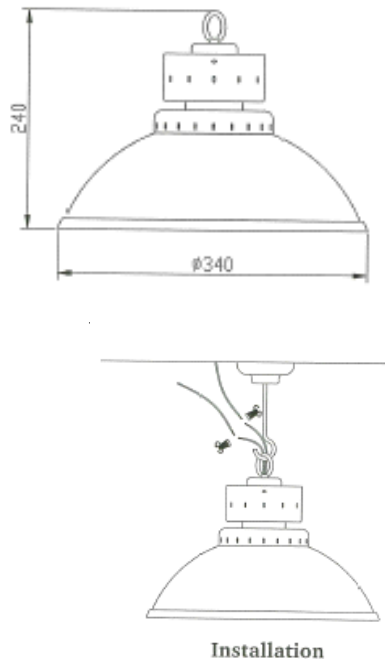
Ceiling Lights Series	—	Led Power: 20=20W, 30=30W
	—	Beam Angle: 92 Degrees
	—	Lighting Direction: F=Fixed Only
	—	Colour Of Light: WW=Warm White, CW=Cool White
	—	Option: 00 = No Diffuser

BIL-133 20 92 F CW 00

LED POWER



Mechanical Dimensions



Dalia Series

Data Sheet

Specifications

Lumen Output

- 20W: 1120 lm(WW), 1300 lm(CW)
- 30W: 1680 lm(WW), 1950 lm(CW)

Beam Angle

- 92 degrees

Lighting Direction

- Fixed

Colour Of Light

- Cool White (Typical 6000K)
- Warm White (Typical 3000K)

CRI

- >80

Input Voltage

- 100-240VAC @50HZ

Relative Humidity

- 98% Non-condensing

Operating Temperature

- -20° to +50° C

IP Rating

- IP 20 (Indoor Use and side walk areas)

Power Consumption

- 20W, 30W

Life Span

- Up to 50,000 hours

Safety Certification Standards

- CE, FCC, RoHs

Colour Of Body

- Silver

Weight

- 1.25 kg

Materials

- Heavy duty aluminum alloy

Specifications in this document are subject to change without notice.

BONJOUR ODYSSEY PTE LTD

135 Joo Seng Road, PM Industrial Building, #03-01, Singapore 368363

Tel: 65-64874568, Fax: 65-64876598

Email: Sales@Bonjour-Odyssey.com

URL: www.bonjour-odyssey.com

Bonjour
Odyssey

We Help You Save Energy Costs