

# Celestyn Series Ceiling Lights

## BCL-121-x



### Overview

The Celestyn Series features a wide array of ceiling lights that enhance greatly the visibility and ambience of its surroundings. The Celestyn Series is an ideal replacement for traditional compact fluorescent lighting (aka PLC lighting) or traditional halogen lamps as they are considerably more energy-efficient as well as producing virtually no heat.

### Key Features

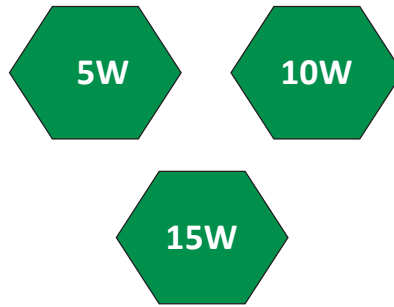
- Ceiling-mounted LED downlight made of die-casted aluminium alloy for robust usage
- Rubber inlay prevents entrance of dust and household insects
- Long lifespan of up to 50,000 hours

### Ordering Code

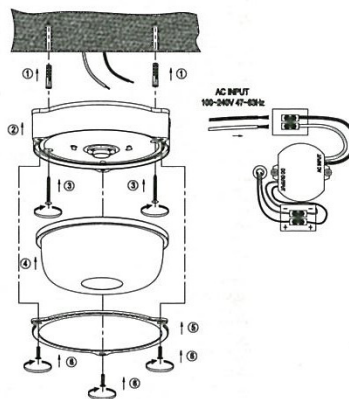
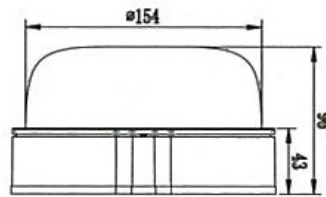
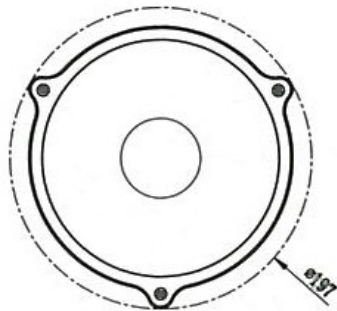
Ceiling Lights Series	Led Power: 5=5W, 10=10W, 15=15W
	Beam Angle: 95 Degree
	Lighting Direction: F=Fixed Only
	Colour Of Light: WW=Warm White, CW=Cool White
	Option: 00 = w/o diffuser, 01 = w/ diffuser

BCL-121 10115 F CW 00

### LED POWER



### Mechanical Dimensions



# Celestyn Series

## Data Sheet

### Specifications

#### Lumen Output

- WW: 280/560/840lm (5W/10W/15W)
- CW: 325/650/975lm (5W/10W/15W)

#### Beam Angle

- 115 degrees

#### Lighting Direction

- Fixed

#### Colour Of Light

- Cool White (Typical 6000K)
- Warm White (Typical 3000K)

#### CRI

- >80

#### Input Voltage

- 100-240VAC @50HZ

#### Relative Humidity

- 98% Non-condensing

#### Operating Temperature

- -20° to +50° C

#### IP Rating

- IP 20 (Indoor Use and side walk areas)

#### Power Consumption

- 5W, 10W, 15W

#### Life Span

- Up to 50,000 hours

#### Safety Certification Standards

- CE, FCC, RoHs

#### Colour Of Body

- White

#### Weight

- 0.94 kg

#### Materials

- Die-cast aluminum alloy with glass cover

Specifications in this document are subject to change without notice.

## BONJOUR ODYSSEY PTE LTD

135 Joo Seng Road, PM Industrial Building, #03-01, Singapore 368363

Tel: 65-64874568, Fax: 65-64876598

Email: Sales@Bonjour-Odyssey.com

URL: www.bonjour-odyssey.com

Bonjour  
Odyssey

We Help You Save Energy Costs